

DC 600 SERIES

3.0 WATT
SINGLE & DUAL OUTPUT
DC-DC CONVERTERS

FEATURES

- DIP and SMD Package Options
- Fully Regulated
- Low Output Ripple and Noise
- High Reliability
- Input/Output Isolation

INPUT SPECIFICATIONS

Input Voltage: 5, 12, 24, 48V

Input Filter: Capacitor

Continuous short circuit protection

OUTPUT SPECIFICATIONS

Output Voltage: 3.3, 5, 12, 15V

Voltage Accuracy: $\pm 3\%$

Line Regulation: $\pm 0.5\%$

Load Regulation (Max): $\pm 1\%$

Temperature Coefficient: $+ .05\%/^{\circ}\text{C}$

Ripple and Noise: $<1\%$ mVp-p

(20 MHz Bandwidth) See Note (1)

Short Circuit Protection: Continuous

GENERAL SPECIFICATIONS

Efficiency: 70% to 80%

Isolation Voltage: 500 VDC

Operating Temperature: -25°C to 71°C

Storage Temperature: -40°C to 100°C

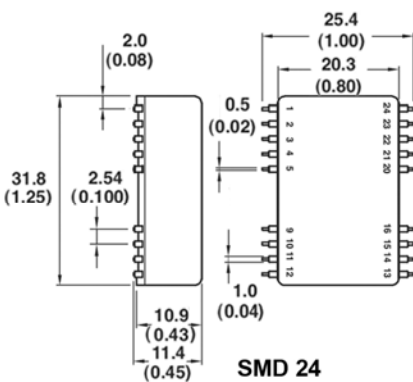
Case Type: Non Conductive Plastic

DIP or SMD

Note (1): With a 10uf tantalum capacitor across Output.



MODEL NUMBER		INPUT VOLTAGE	OUTPUT VOLTAGE	OUTPUT CURRENT
DC-601	SINGLE	4.5-6.0V	5V	600mA
DC-602		4.5-6.0V	12V	250mA
DC-603		4.5-6.0V	15V	200mA
DC-604		4.5-6.0V	3.3V	600mA
DC-611		9-18V	5V	600mA
DC-612		9-18V	12V	250mA
DC-613		9-18V	15V	200mA
DC-614		9-18V	3.3V	600mA
DC-621		18-36V	5V	600mA
DC-622		18-36V	12V	250mA
DC-623		18-36V	15V	200mA
DC-624		18-36V	3.3V	600mA
DC-631		36-72V	5V	600mA
DC-632		36-72V	12V	250mA
DC-633	36-72V	15V	200mA	
DC-634	36-72V	3.3V	600mA	
DC-607	DUAL	4.5-6.0V	$\pm 5\text{V}$	$\pm 300\text{mA}$
DC-608		4.5-6.0V	$\pm 12\text{V}$	$\pm 125\text{mA}$
DC-609		4.5-6.0V	$\pm 15\text{V}$	$\pm 100\text{mA}$
DC-617		9-18V	$\pm 5\text{V}$	$\pm 300\text{mA}$
DC-618		9-18V	$\pm 12\text{V}$	$\pm 125\text{mA}$
DC-619		9-18V	$\pm 15\text{V}$	$\pm 100\text{mA}$
DC-627		18-36V	$\pm 5\text{V}$	$\pm 300\text{mA}$
DC-628		18-36V	$\pm 12\text{V}$	$\pm 125\text{mA}$
DC-629		18-36V	$\pm 15\text{V}$	$\pm 100\text{mA}$
DC-637		36-72V	$\pm 5\text{V}$	$\pm 300\text{mA}$
DC-638		36-72V	$\pm 12\text{V}$	$\pm 125\text{mA}$
DC-639		36-72V	$\pm 15\text{V}$	$\pm 100\text{mA}$



PIN CONNECTIONS:

PIN	SINGLE		DUAL	
	DIP	SMD	DIP	SMD
1 & 24	+ INPUT		+INPUT	
2 & 23	NC		- OUTPUT	
3 & 22	NC		COMMON	
10 & 15	- OUTPUT		COMMON	
11 & 14	+ OUTPUT		+ OUTPUT	
12 & 13	-INPUT		- INPUT	
4	NO PIN	NC	NO PIN	NC
5	NO PIN	NC	NO PIN	NC
9	NO PIN	NC	NO PIN	NC
16	NO PIN	NC	NO PIN	NC
20 & 21	NO PIN	NC	NO PIN	NC

NC: No Connection

